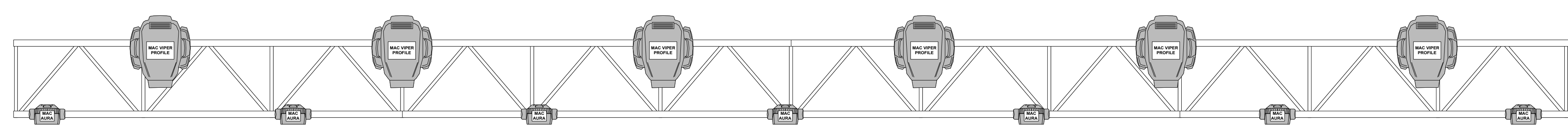
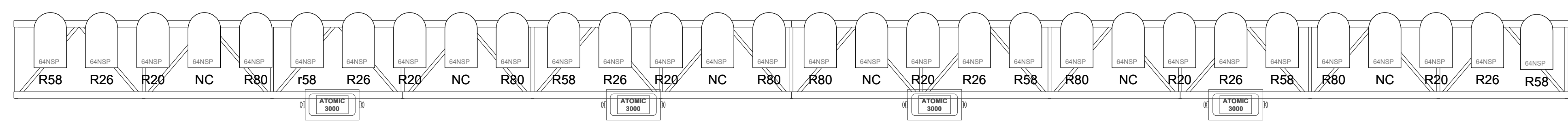


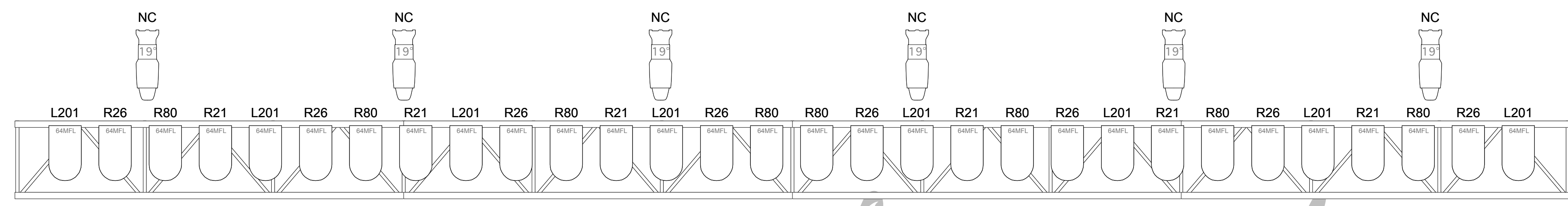
1 2 3 4 5 6 7

A




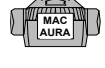
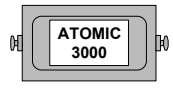

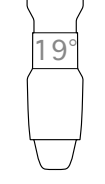
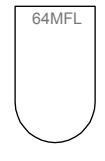

B

C

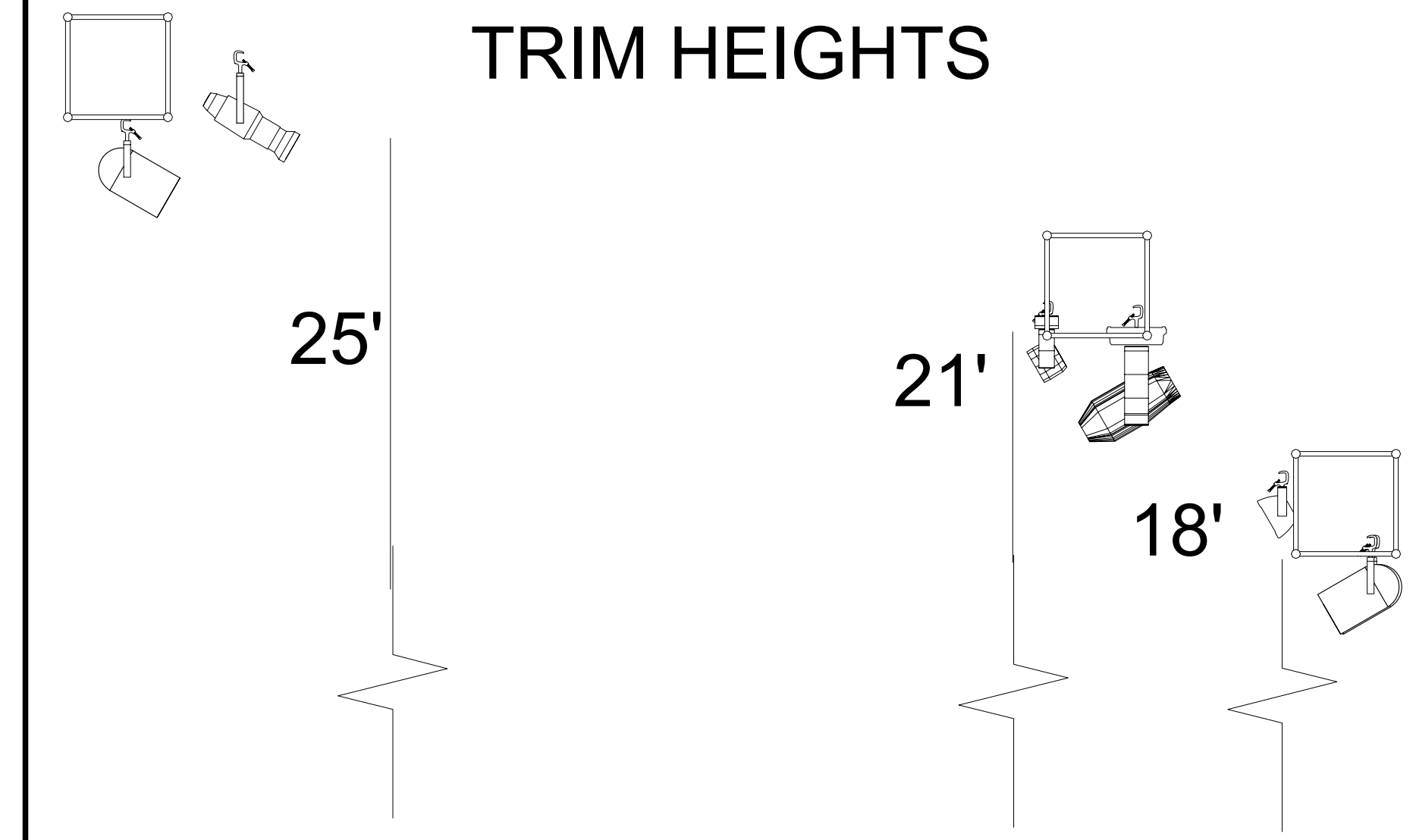


This tour life.
Scale- 1/2" = 1'

FIXTURE KEY

-  Martin Mac Viper Spot - Extended Mode
-  Martin Mac Aura Wash -Extended Mode
-  Martin ATOMIC 3000 - 4 Channel Mode
-  8-Cell Molefay
-  ETC Source 4 19 degree Leko
-  PAR - MFL
-  PAR - NSP

TRIM HEIGHTS



SIDE VIEW

PLOT NOTES:

Title Lighting Plot Example Spring 2015		
Drawing Number 1	Drawn By Drawn By	Date Date
CAD File Name File Name		

1 2 3 4 5 6 7